



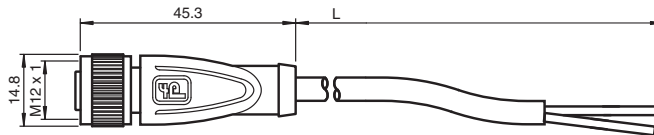
## Technical data

Number of pins	2	4
<b>Electrical data</b>		
Operating voltage $U_B$	Max. 250 V AC/DC	
Testing voltage	> 1500 V <sub>eff</sub> AC	
Operating current	Max. 4 A	
Volume resistance	< 5 mΩ	
<b>Ambient conditions</b>		
Ambient temperature	-40 ... 90 °C for body Information on cable quality can be found beginning on page 10	
Degree of pollution	3	
<b>Mechanical data</b>		
Contact elements	Spring-loaded contact sockets	
Degree of protection	IP67 / IP68 / IP69K	
Material		
Contacts	CuSn / Au	
Contact surface	Au	
Body	PUR, blue	
Coupling nut	Die-cast zinc	

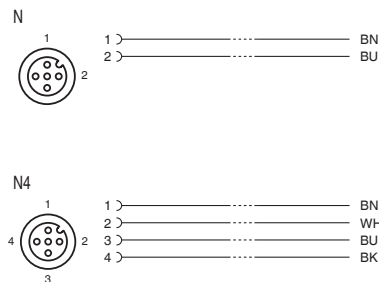
## Features

- Suitable for NAMUR technology
- Blue body and sheathing
- Knurled nut suitable for tool mounting
- Mechanical detent for vibration protection
- Gold-plated and machined contacts
- Degree of protection: IP67 / IP68 / IP69K

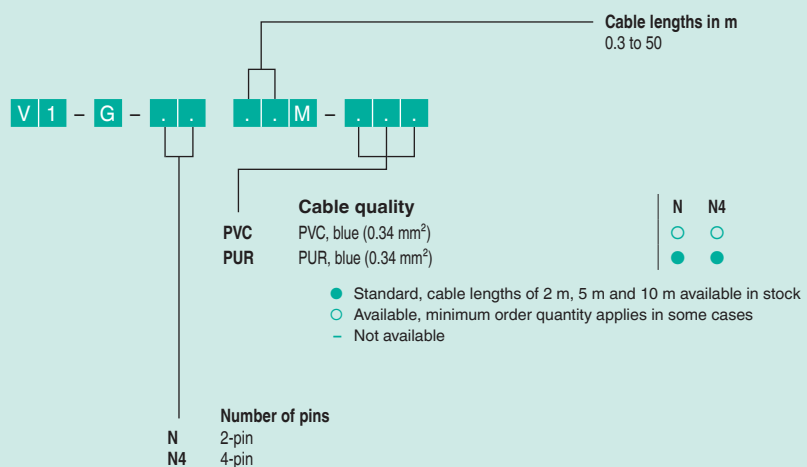
## Dimensions



## Electrical connection



## Order codes

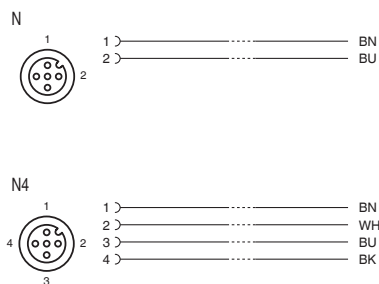




## Features

- Suitable for NAMUR technology
- Blue body and sheathing
- Knurled nut suitable for tool mounting
- Mechanical detent for vibration protection
- Gold-plated and machined contacts
- Degree of protection: IP67 / IP68 / IP69K

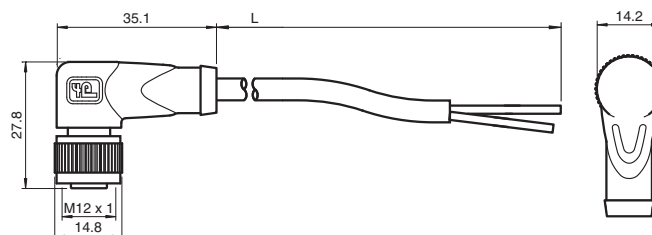
## Electrical connection



## Technical data

Number of pins	2	4
<b>Electrical data</b>		
Operating voltage $U_b$	Max. 250 V AC/DC	
Testing voltage	> 1500 V <sub>eff</sub> AC	
Operating current	Max. 4 A	
Volume resistance	< 5 mΩ	
<b>Ambient conditions</b>		
Ambient temperature	-40 ... 90 °C for body Information on cable quality can be found beginning on page 10	
Degree of pollution	3	
<b>Mechanical data</b>		
Contact elements	Spring-loaded contact sockets	
Degree of protection	IP67 / IP68 / IP69K	
<b>Material</b>		
Contacts	CuSn / Au	
Contact surface	Au	
Body	PUR, blue	
Coupling nut	Die-cast zinc	

## Dimensions



## Order codes

**Cable lengths in m**  
0.3 to 50

**Order code structure:** V 1 - W - . . . M - . . .

**Cable quality**

PVC	PVC, blue (0.34 mm <sup>2</sup> )
PUR	PUR, blue (0.34 mm <sup>2</sup> )

● Standard, cable lengths of 2 m, 5 m and 10 m available in stock  
○ Available, minimum order quantity applies in some cases  
- Not available

**Number of pins**  
N 2-pin  
N4 4-pin

**Legend:**  
N ○  
N4 ●